

HE360 Powered Flow-Through Humidifier

TRADELINE®

INSTALLATION INSTRUCTIONS

READ AND SAVE THESE INSTRUCTIONS

APPLICATION

The HE360 Powered Flow-Through Humidifier uses the warm air furnace blower to provide humidification for the whole house. The HE360 works with virtually any Honeywell humidity control, but use with the Honeywell Perfect Climate Comfort Center™ control for optimal performance.

INSTALLATION

WARNING

Personal Injury or Equipment Damage Can Occur.
Do not cut or drill into any air conditioning or electrical accessory.

CAUTION

- Locate the humidifier where the ambient temperature is between 32°F (0°C) and 160°F (71°C) or property damage can occur. Do not install where freezing temperatures could occur.
- Be sure supply plenum static pressure is no greater than 0.4 in. W.C. and water pressure is no greater than 125 psi or equipment damage can occur.

IMPORTANT

Be sure the template is level before marking to assure optimal product performance.

1. Determine the best location for the humidifier and draw a level line on the plenum. See Fig. 1 and 2.

IMPORTANT

Be sure the humidifier will be at least 3 in. (76 mm) above the furnace jacket or there will not be enough room for the drain line. Check that there is enough room above the humidifier to remove and install the humidifier cover. Do not install on a furnace jacket.

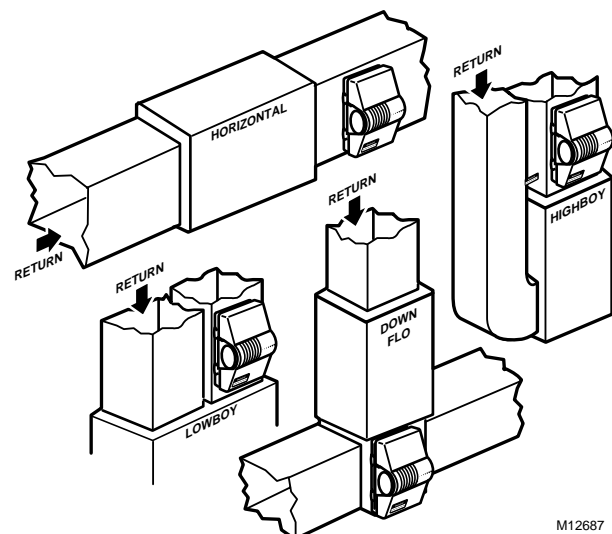


Fig. 1. Typical humidifier installation locations.

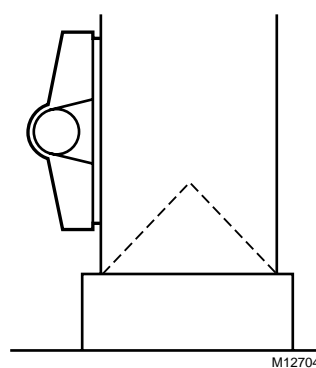


Fig. 2. HE360 Humidifier location in relation to AC cooling coils.

2. Tape the template in position and trace around the template.
3. Remove the template and carefully cut the rectangular opening.
4. Loosen the thumbscrew on the bottom of the humidifier and remove the cover.
5. Remove the humidifier pad and PerfectFlo™ water tray by grasping the tray and pulling it out of the housing. See Fig. 3.
6. Position the humidifier housing in the hole (be sure it is level), so the locking tabs are in place on the lower sheet metal edge of the hole.
7. Drill holes and install the two sheet metal screws at the top of the humidifier housing. Secure the housing with the eight remaining screws.

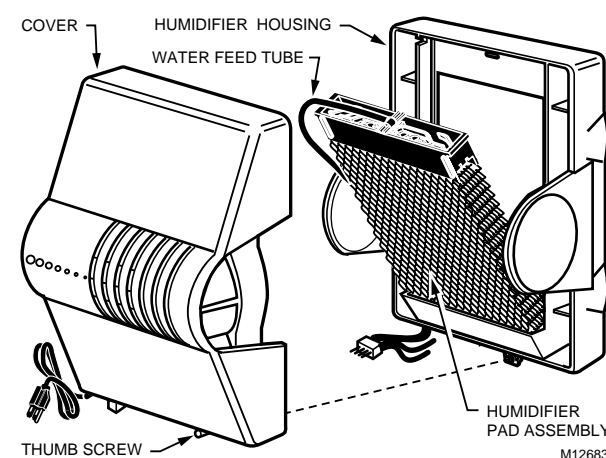


Fig. 3. Humidifier components.

IMPORTANT

Be sure the black mark on the end of the humidifier pad is facing up for proper operation. Check that the water feed tube is placed in the guide slots of the humidifier housing.

8. Reinstall the humidifier pad and PerfectFlo™ water tray in the humidifier housing.
9. Hook the top of the cover to the housing and secure with the thumbscrew located at the bottom of the cover.

WIRING

WARNING

Serious Personal Injury Hazard.
Can cause electrical shock and injury from moving parts.
Disconnect power supply before installation or servicing to prevent electrical shock or equipment damage.
This device contains a moving fan blade. Disconnect power prior to installation or servicing. Do not operate the humidifier without the cover securely attached.

All wiring must comply with applicable local codes, ordinances and regulations.

1. Wire the humidifier solenoid valve, current sensing relay or sail switch, and humidistat. See Fig. 4, 5 and 6. Refer to humidistat installation instructions for mounting and wiring information.

IMPORTANT

If not using a current sensing relay or sail switch, the 120V humidifier plug must be energized during blower motor cycles for proper operation.

NOTE: Select models of fan centers include humidifier taps so the current sensing relay or sail switch are not needed.

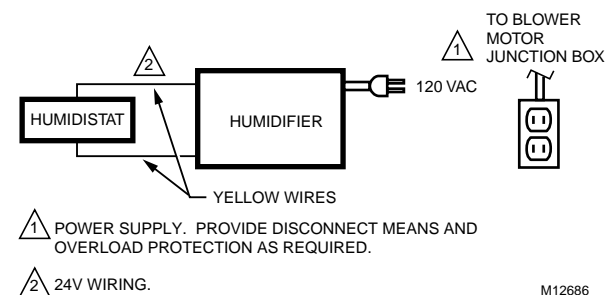


Fig. 4. Typical hookup diagram for humidifier using the fan control to cycle the blower motor fan and humidifier simultaneously.

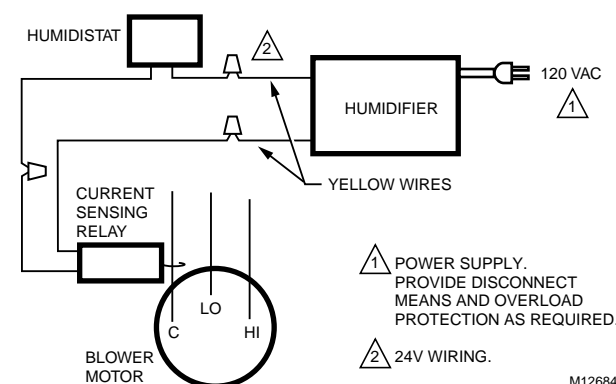


Fig. 5. Typical hookup diagram of the current sensing relay with a humidifier.

TEMPLATE

TEMPLATE



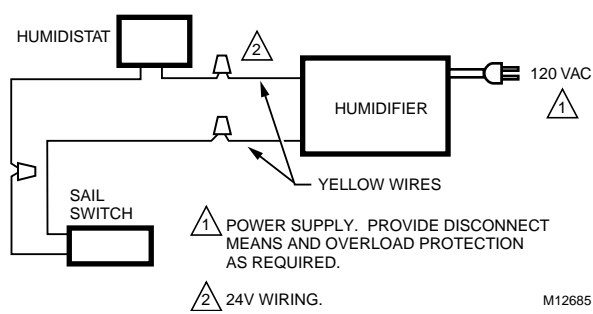


Fig. 6. Typical hookup diagram of the sail switch with a humidifier.

PLUMBING SADDLE VALVE

The humidifier can use either hot or cold water that is hard or softened.

1. Use the self-piercing saddle valve (included) to tap into the water supply line at an appropriate location.

IMPORTANT

- The saddle valve is not designed to be used to regulate water flow. The valve is either open or closed.
- Be sure the saddle valve handle is pointing towards the ceiling when installed to prevent debris from clogging the solenoid in-line filter.

2. Use 1/4 in. O.D. copper tubing and connect the saddle valve to the inlet side of the solenoid valve.



CAUTION

Do not use any line connected to an air conditioner or equipment damage can occur.

NOTE: Lightly clean the copper tubing ends with fine sandpaper before making any connections.

- a. Place the brass compression nut over copper tubing.
- b. Slide the brass ferrule over the tubing.
- c. Insert the tubing into the solenoid valve fitting and support the valve while tightening the compression nut.

NOTE: Do not over-tighten the compression nut. Moderate tightness will prevent leaking.

3. Connect 1/2 in. hose to the humidifier drain fitting and run to a suitable drain.

NOTE: Hose needs to be at a downward slope to drain correctly.

4. Open saddle valve.

CHECKOUT

1. Open saddle valve.
2. Set thermostat setpoint to 10°F above room temperature and set humidistat high.

NOTE: The furnace blower must be operating for the humidifier to work.

3. Observe water running out of the drain line to be sure humidifier is working.
4. Check for leaks.
5. Reset thermostat and humidistat to comfortable settings.

Honeywell

Home and Building Control

Honeywell Inc.
Honeywell Plaza
P.O. Box 524

Home and Building Control

Honeywell Limited-Honeywell Limitée
155 Gordon Baker Road
North York, Ontario
M2H 3N7

